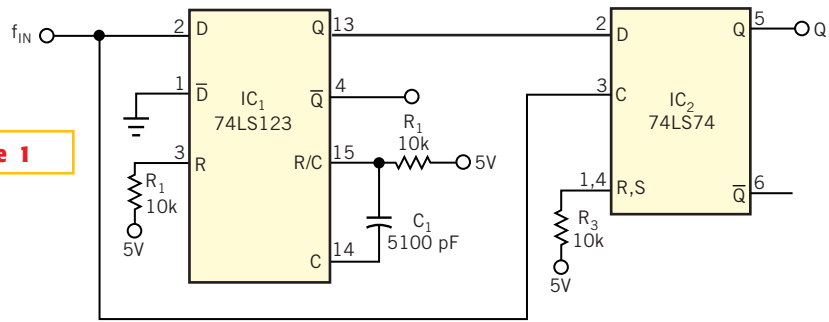


Figure 1



This simple circuit can reveal whether an input frequency is above or below a reference frequency.