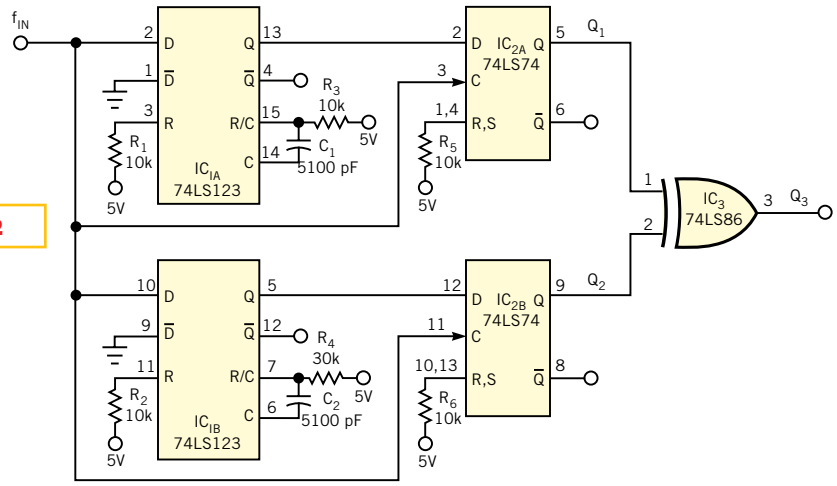


Figure 2



Doubling the circuit in Figure 1 and using an exclusive-OR circuit results in a window discriminator.