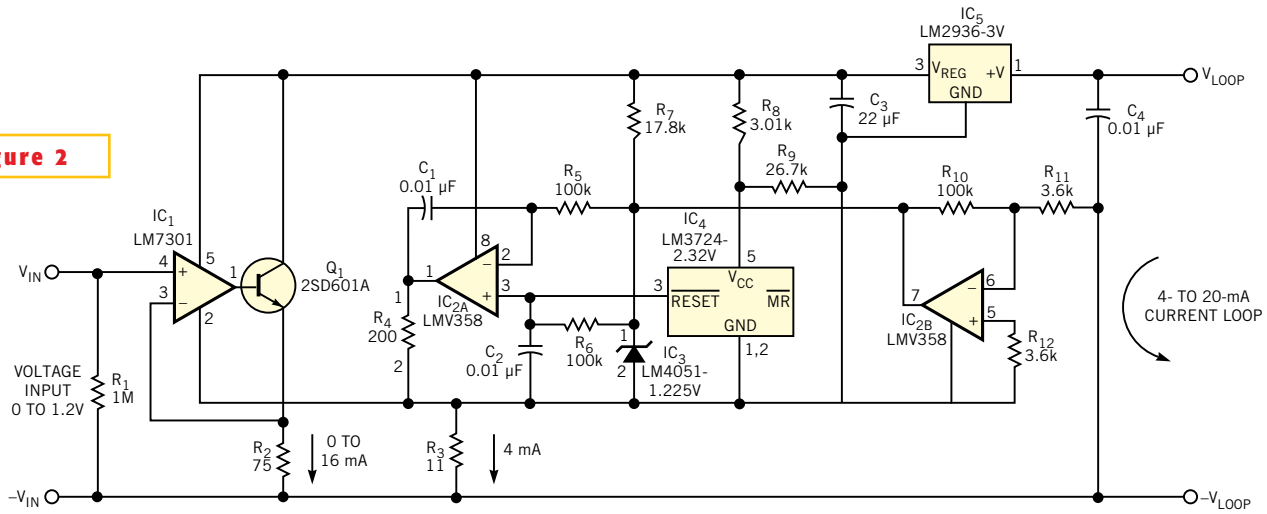


Figure 2



This circuit transforms a 0 to 1.2V input voltage to a 4- to 20-mA output range.