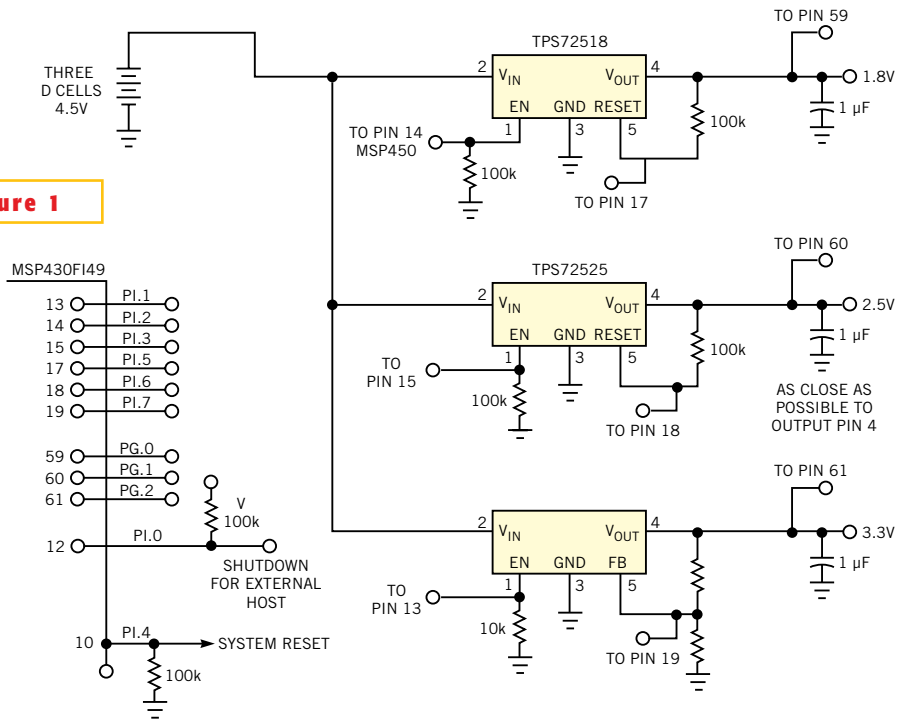


Figure 1



An ultra-low-power microcontroller controls a system's power-supply sequencing.