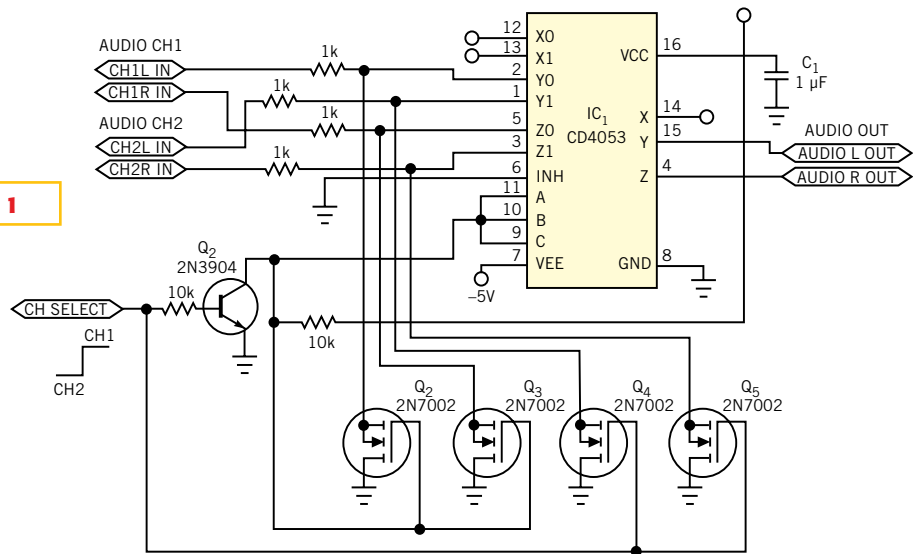


Figure 1



By using a few low-cost MOSFETs, you can drastically reduce crosstalk effects in an analog multiplexer.