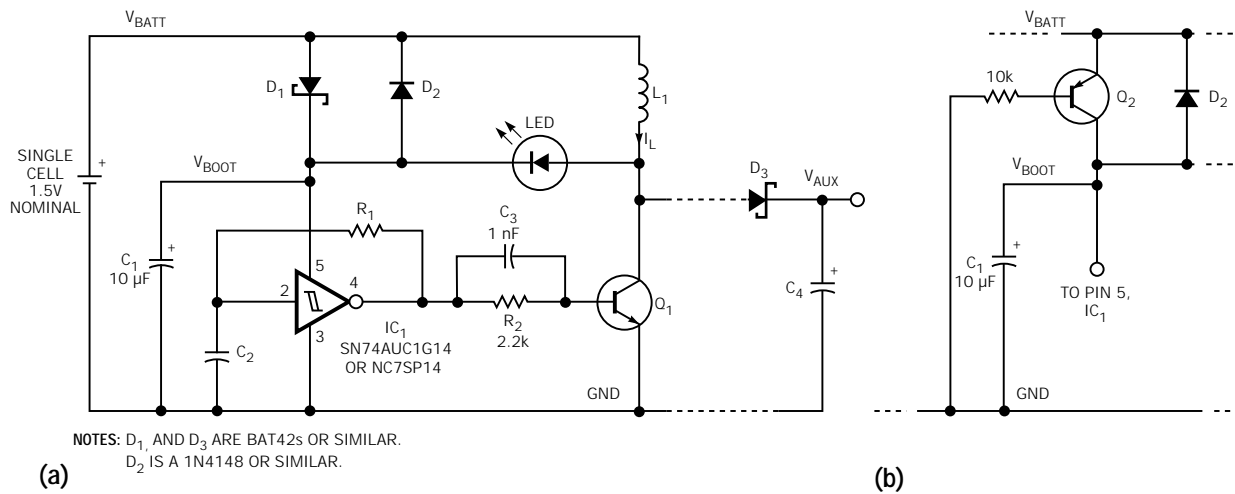


Figure 1



**This circuit produces dazzling intensity in a white LED from very low battery voltages (a).
A modification allows even lower battery voltages (b).**