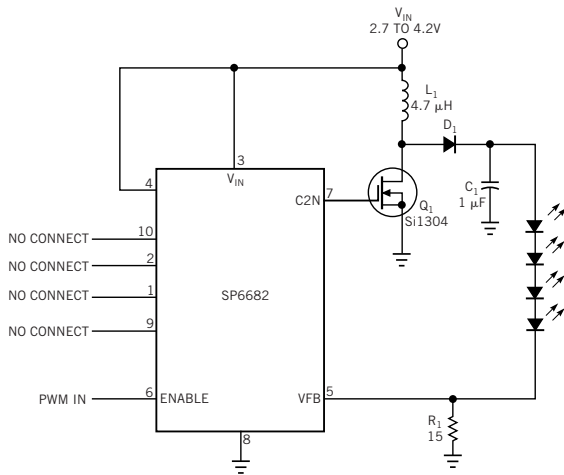


**Figure 1**



**This circuit uses a charge-pump IC to provide power to a series string of LEDs.**