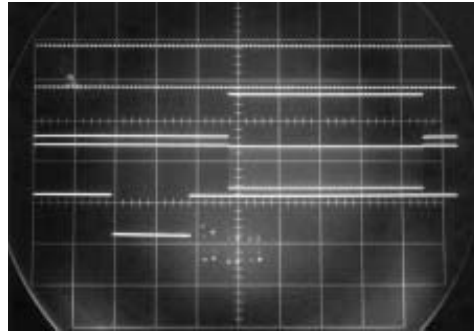


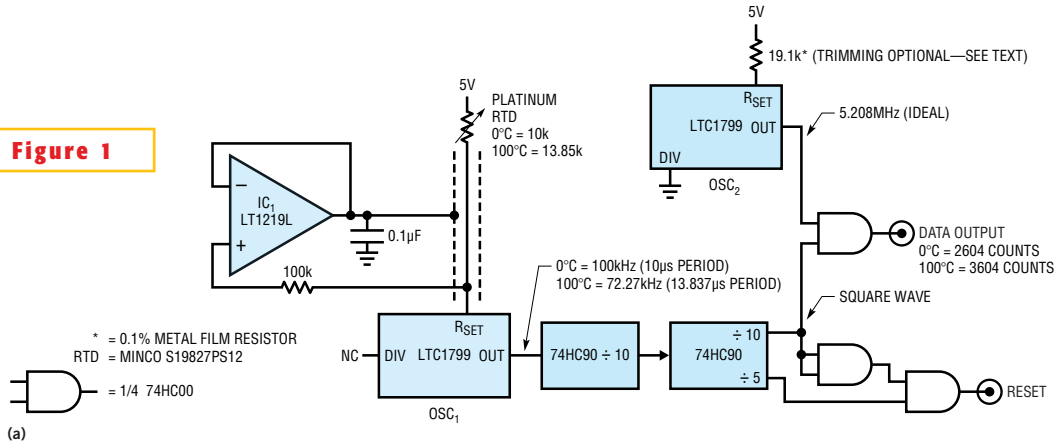
- A (OSC₁ OUTPUT)
- B (SQUARE WAVE)
- C (OUTPUT DATA)
- D (RESET)



(b)

HORIZONTAL SCALE=100 μSEC/DIV
VERTICAL SCALE=5V/DIV

Figure 1



A platinum RTD digitizer is accurate to within 1° from 0 to 100°C (a). The circuit divides OSC₁'s output (Trace A) by 100 and gates the result with a 5.2-MHz clock, to produce data bursts (Trace C) that correspond to temperature (b).