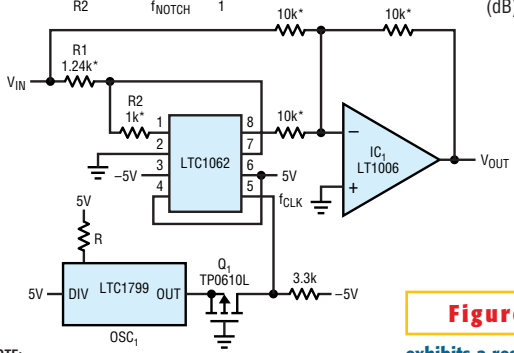
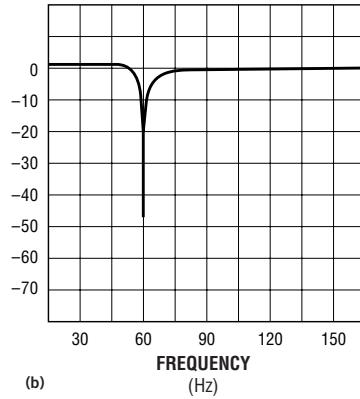


| R | CLOCK FREQUENCY | NOTCH CENTER FREQUENCY |
|-------|-----------------|------------------------|
| 210k | 4.75kHz | 60Hz |
| 249k | 3.96kHz | 50Hz |
| 31.5k | 31.72kHz | 400Hz |

$$\frac{R1}{R2} = 1.234, \quad \frac{f_{CLOCK}}{f_{NOTCH}} = \frac{79.3}{1}$$



NOTCH DEPTH (dB)



(b)

Figure 6 A clock-tuned, highly selective notch filter (a) exhibits a response that is more than 45 dB down at 60 Hz (b).

NOTE:
* = 1% METAL FILM RESISTOR

(a)