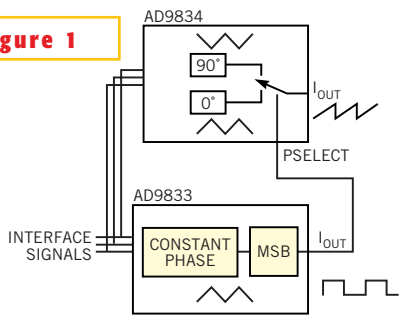


Figure 1



Two DDS chips provide a convenient way to generate sawtooth waveforms.