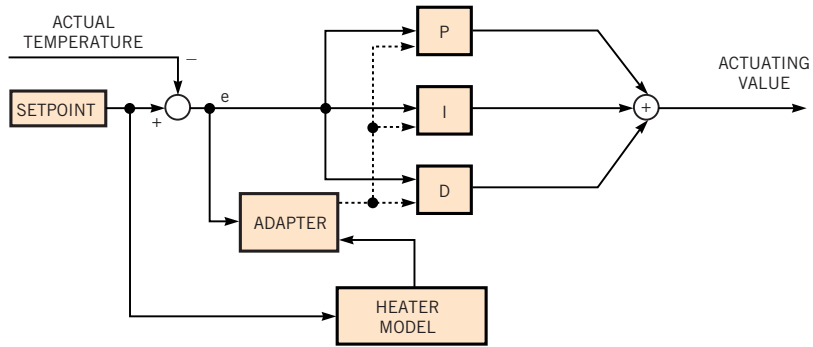


Figure 6



The addition of a heater model and an adapter to a PID controller provides adaptive modification of PID constants, which is useful when the setpoint temperature is not near the balanced temperature.