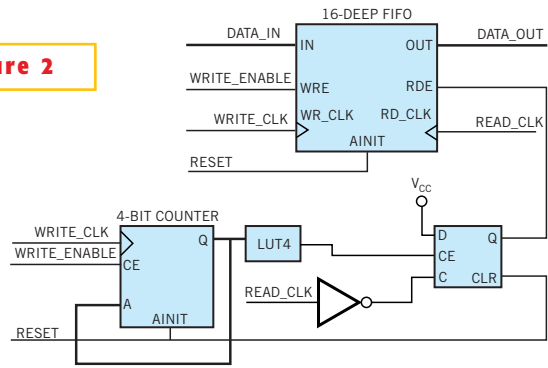


Figure 2



Increasing the counter width and the number of LUTs enables you to set the maximum delay of the variable-delay line to any value.