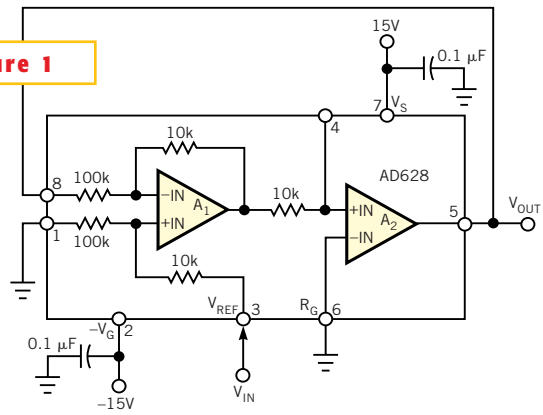


Figure 1



This circuit has a precise gain of 10 and uses no external components.