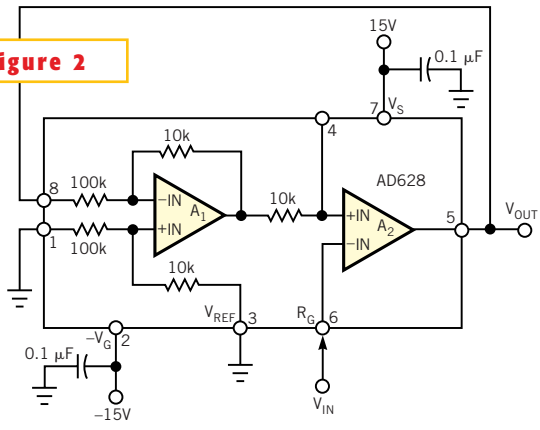


Figure 2



This companion circuit to the one in Figure 1 delivers an accurate gain of -10 .