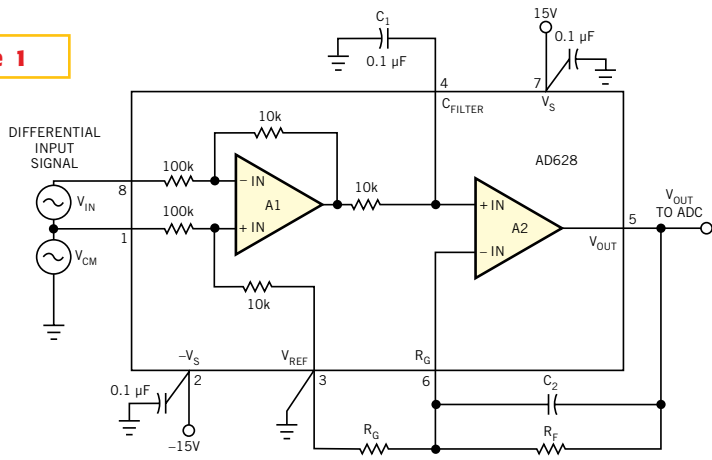


Figure 1



An instrumentation-amplifier IC provides precision drive and lowpass filtering for an ADC input.