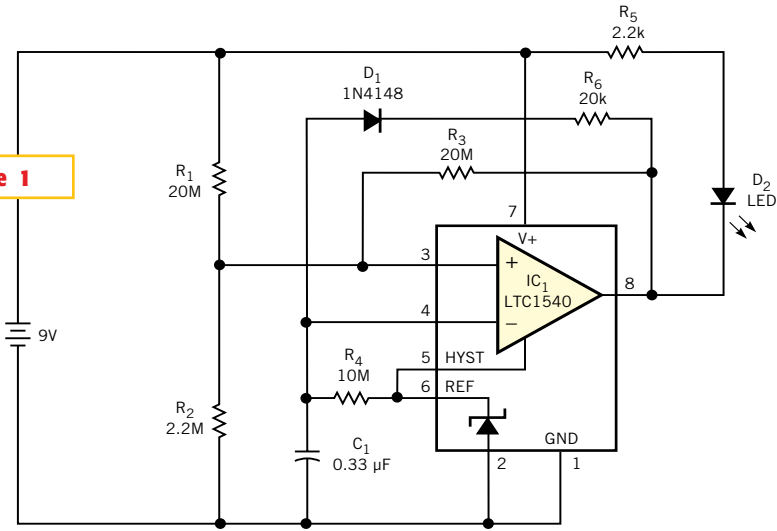


Figure 1



This fleapower low-battery indicator draws just 1.2-μA operating current.