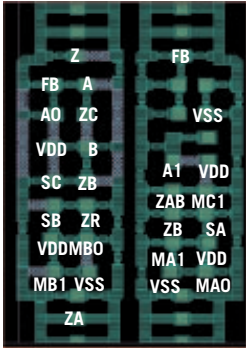
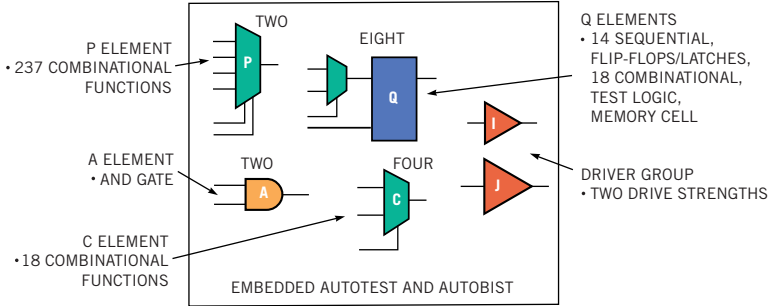


Figure 5



(a)



(b)

Structured-ASIC logic cells span the extremes, from fine- (a) to coarse-grained (b) approaches (courtesy Chip Express and Lightspeed Semiconductor, respectively).