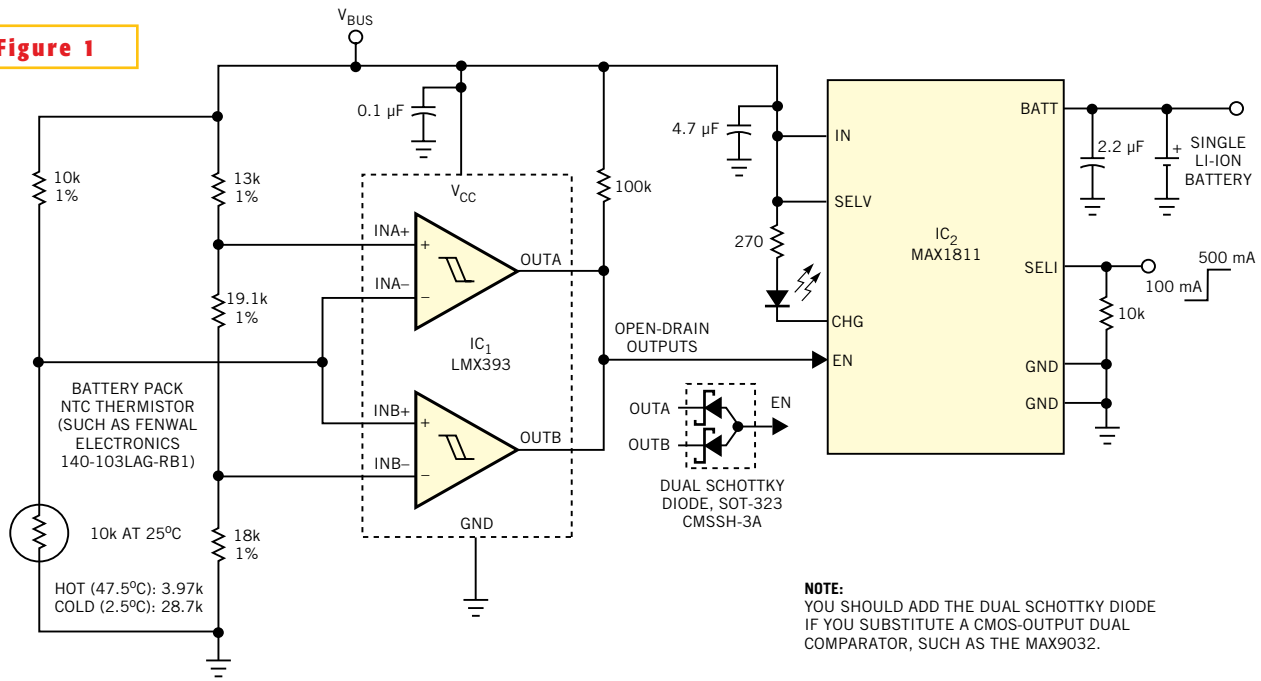


**Figure 1**



While charging a lithium battery from a USB port, this circuit provides thermal protection for the battery.