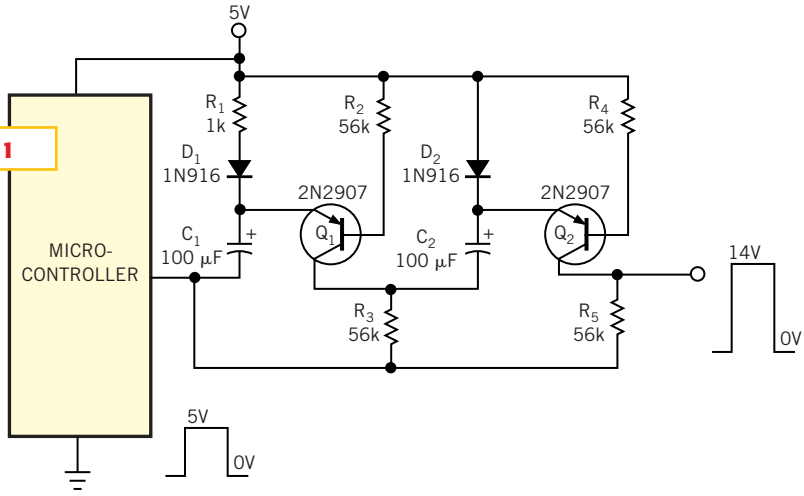


Figure 1



This simple circuit provides single pulses of 14V from a 5V power supply.