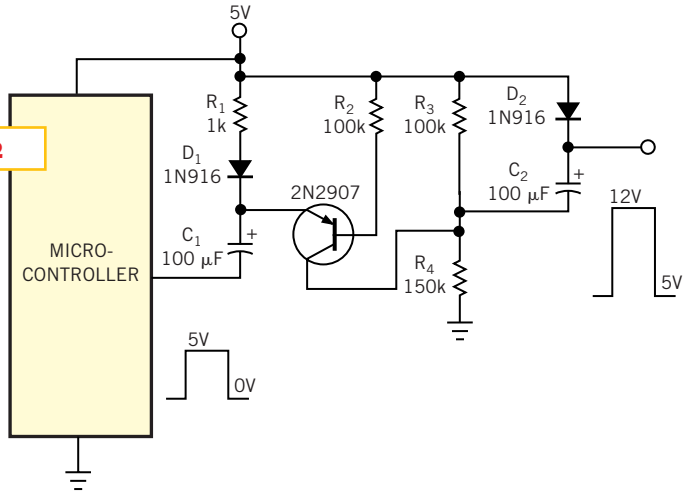


Figure 2



This variation on the circuit of Figure 1 supplies fuse-programming pulses for Atmel ATV microcontrollers.