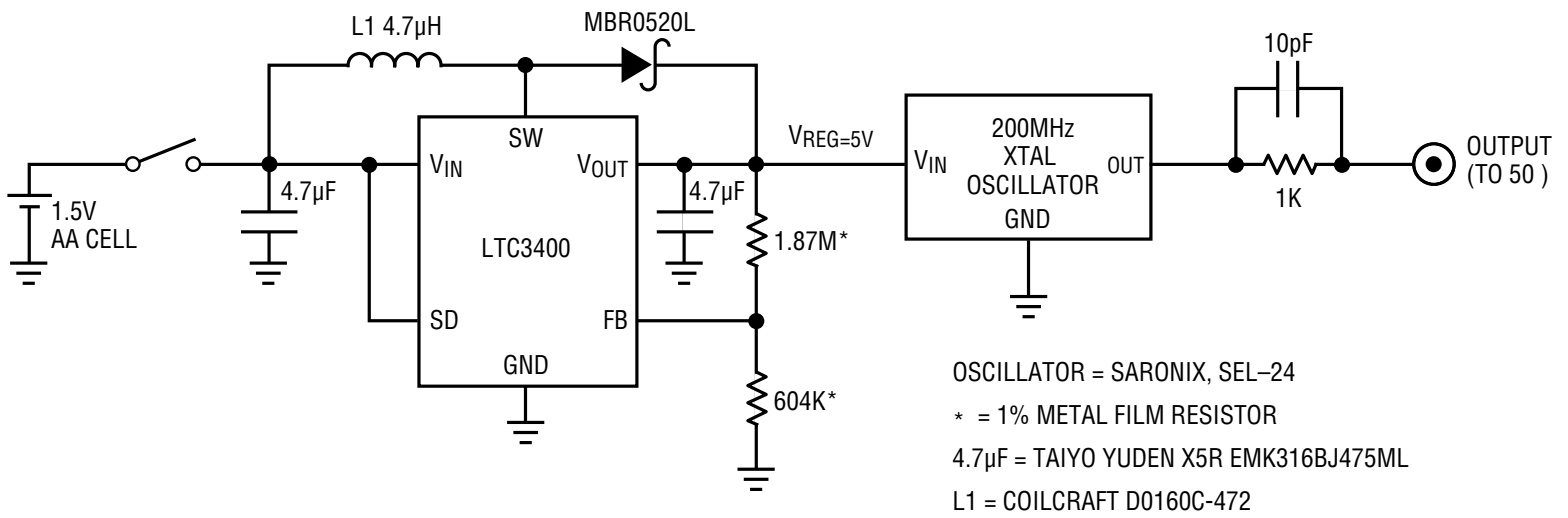


**Figure A**



**A 1.5V battery powers a 200-MHz crystal oscillator that provides 5-nsec time markers. A switching regulator converts the 1.5V source to 5V to power the oscillator.**