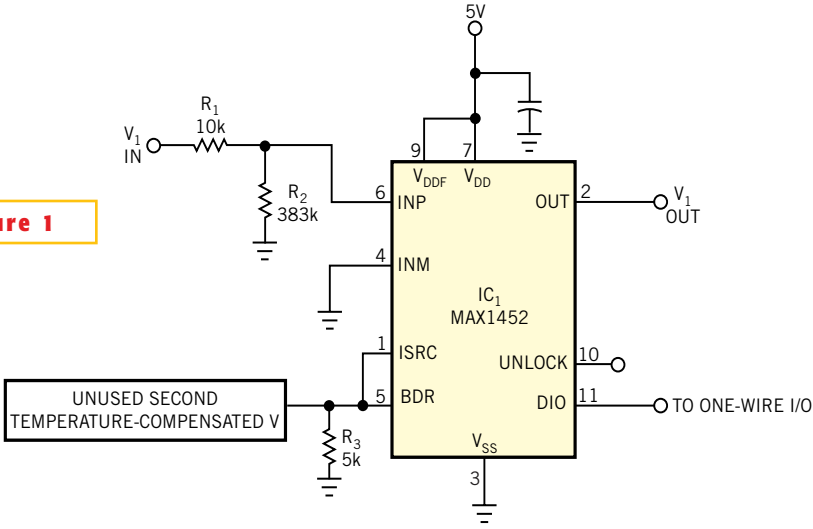


**Figure 1**



**IC<sub>1</sub> introduces nonlinear temperature compensation to the analog voltage, V<sub>1</sub>.**