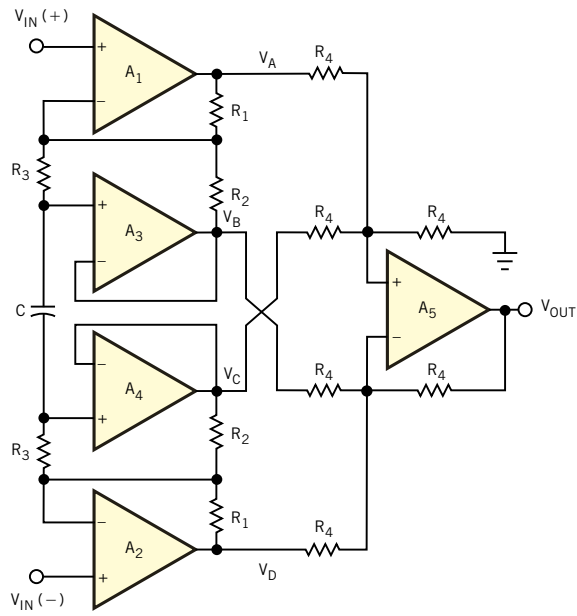


(a)



(b)

Figure 1

Capacitor C ac-deouples the simplified amplifier circuit (a); the detailed circuit (b) uses gain stages and an adder-subtractor stage.