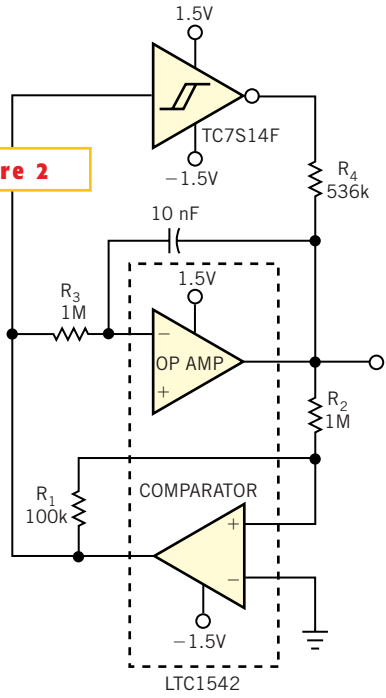


**Figure 2**



A simple CMOS inverter provides high-bandwidth current assist, improving the waveform drastically with minimal impact on supply current.