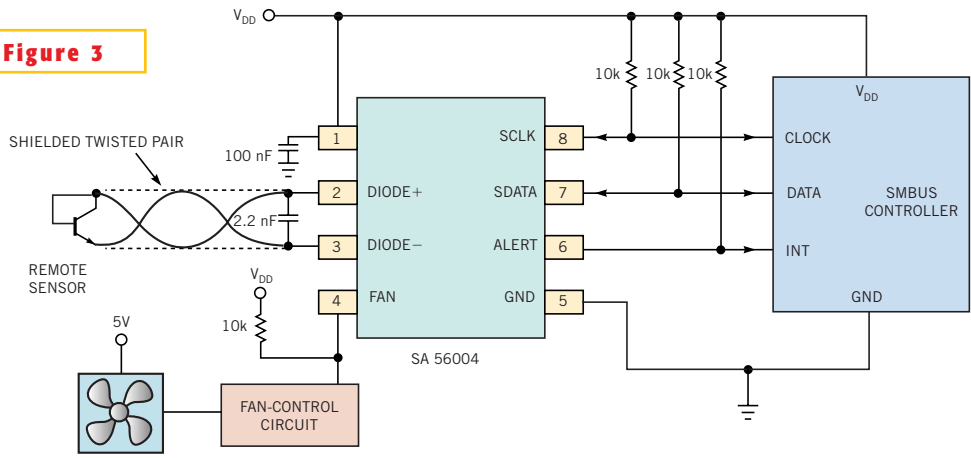


Figure 3



Philips' SA56004 reads its own temperature and that of a remote junction, such as a microprocessor's thermal diode.