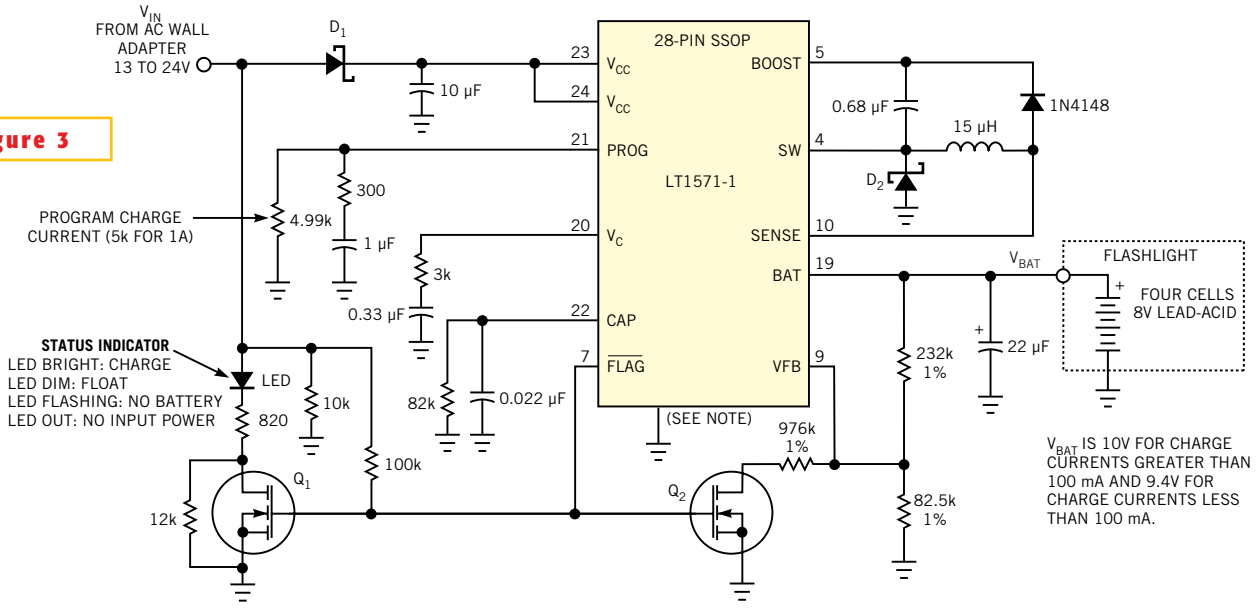


Figure 3



NOTES:
 GROUND PINS 1, 2, 3, 11, 12, 13, 14, 15, 16, 17, 18, 25, 26, 27, AND 28 TO GENEROUS AMOUNTS OF PC-BOARD COPPER FOR BEST THERMAL AND ELECTRICAL PERFORMANCE.
 Q₁ AND Q₂ ARE VN2222s, OR 2N7002s.
 D₁ AND D₂ ARE 1A, 30V SCHOTTKY DIODES.

This battery charger uses current-limited constant voltage to charge the lead-acid cells in the flashlight.