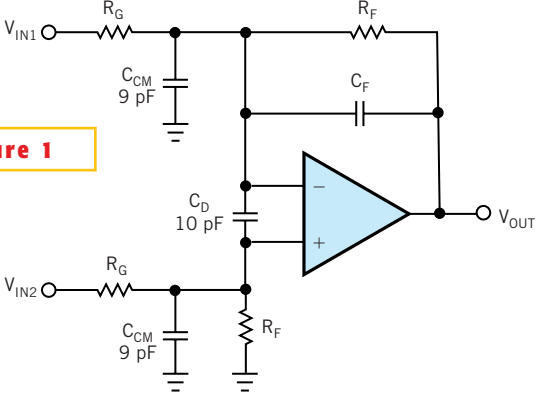


Figure 1



Stray capacitance on the op-amp-input leads causes a pole in the Bode plot and potential instability.