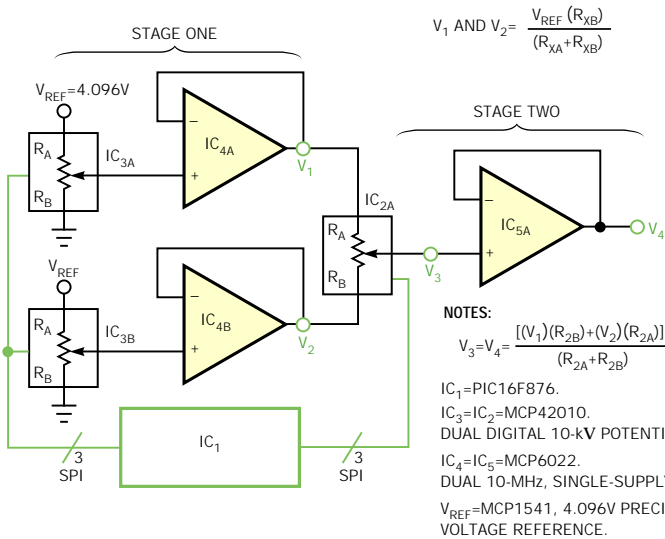


Figure 1



You can design a precision 16-bit DAC by using three digital potentiometers and three op amps.