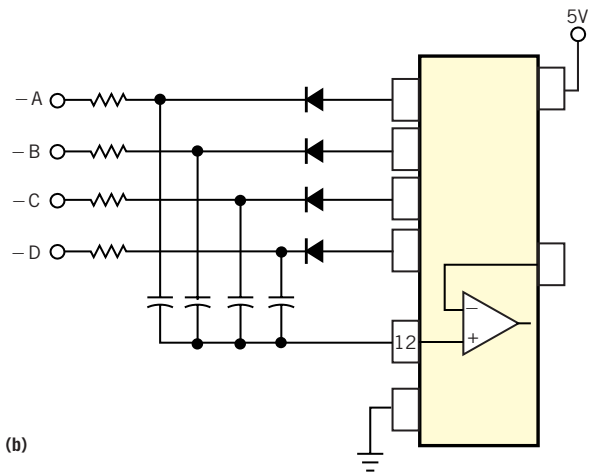
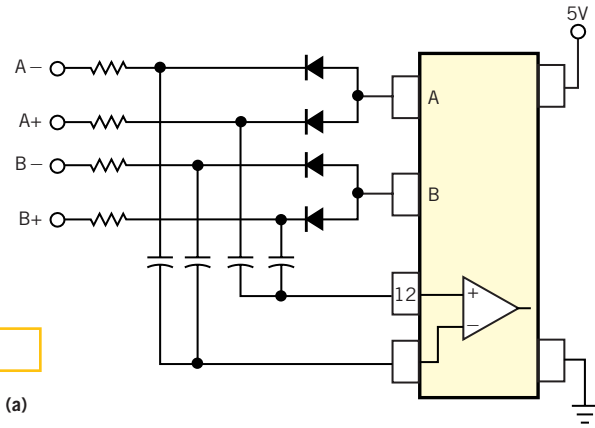


Figure 2



The technique lends itself to variations, such as switching sets of inputs (a) and expanding to more than two inputs (b).