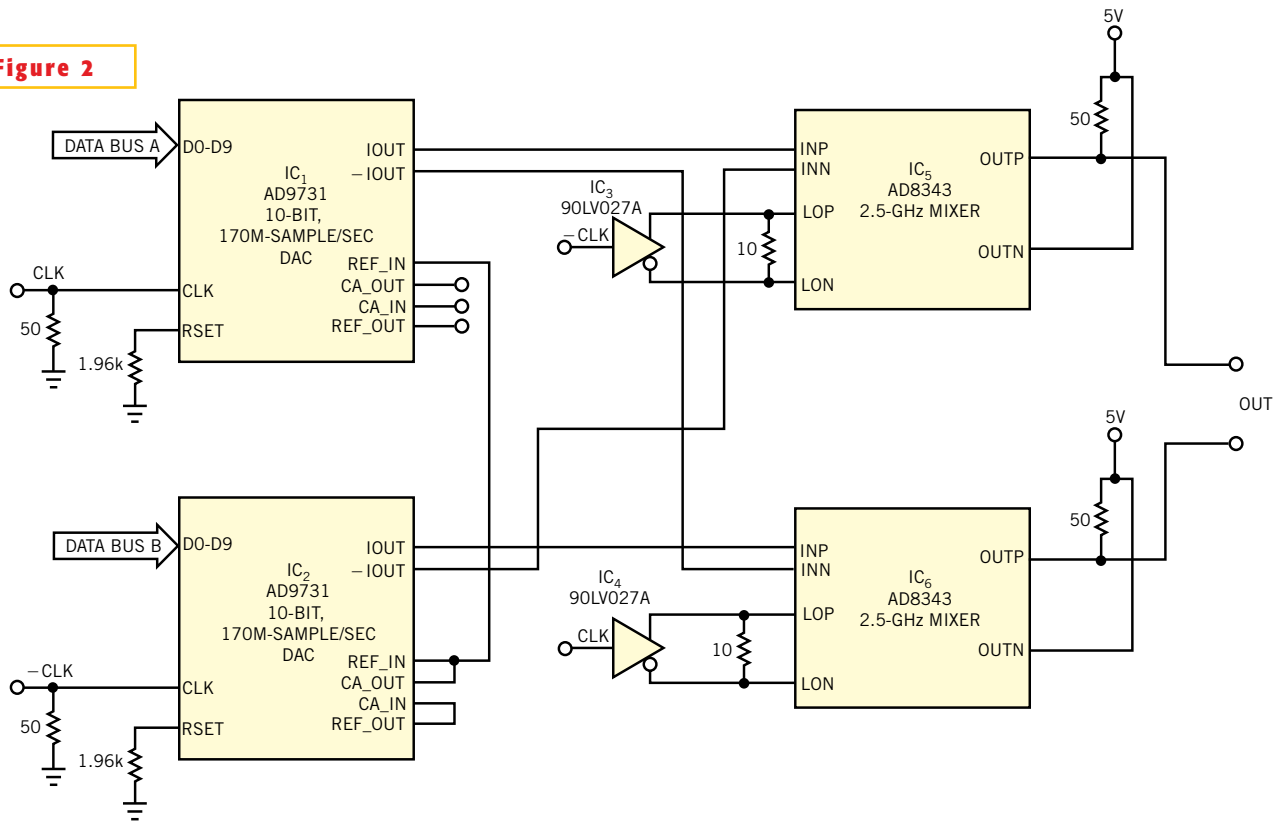


Figure 2



“Ping-ponging” the outputs of two DACs effectively doubles the throughput rate.