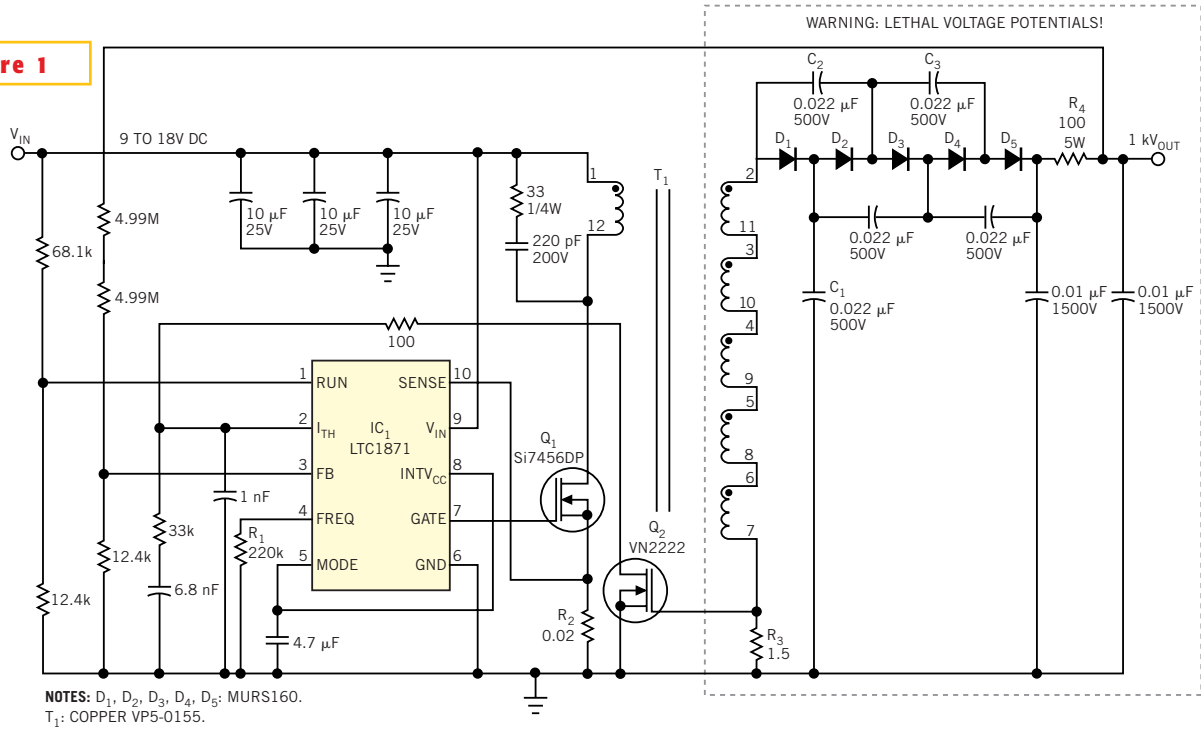


Figure 1



This circuit delivers 1 kV from a low-voltage input and can produce continuous arcing.