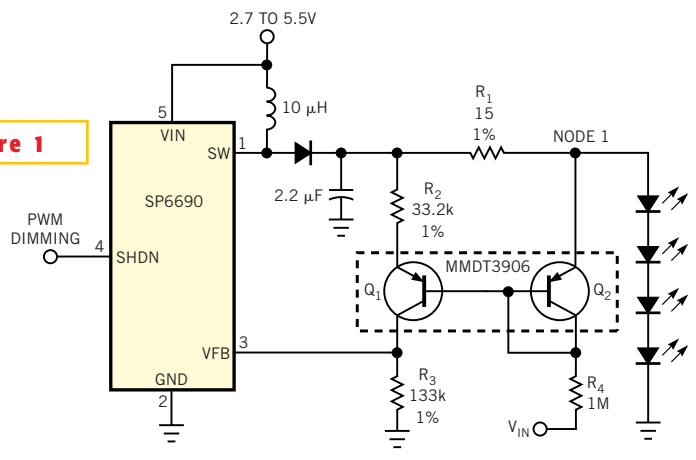


Figure 1



This circuit provides high-side current sensing for driving a string of white LEDs.