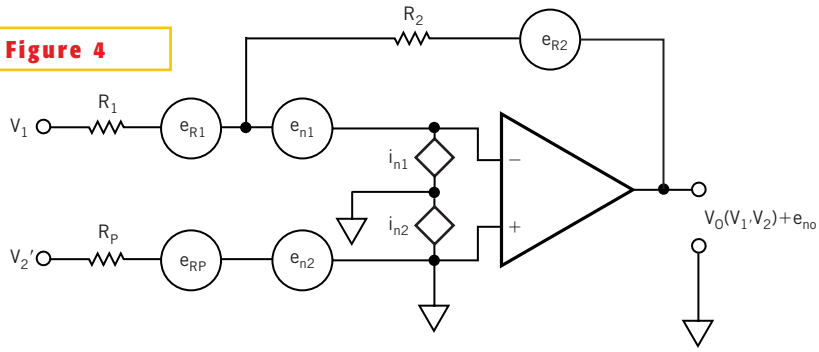


**Figure 4**



The complete noise model includes seven noise sources and two signal sources. Be careful when calculating the gains associated with the amplifier's input-noise source terms.