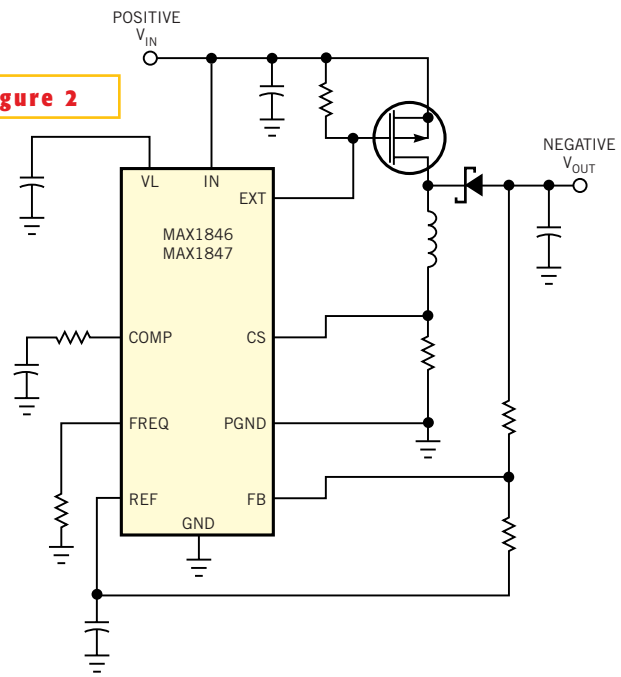


**Figure 2**



**This conventional inverting power supply uses a relatively inefficient p-channel MOSFET.**