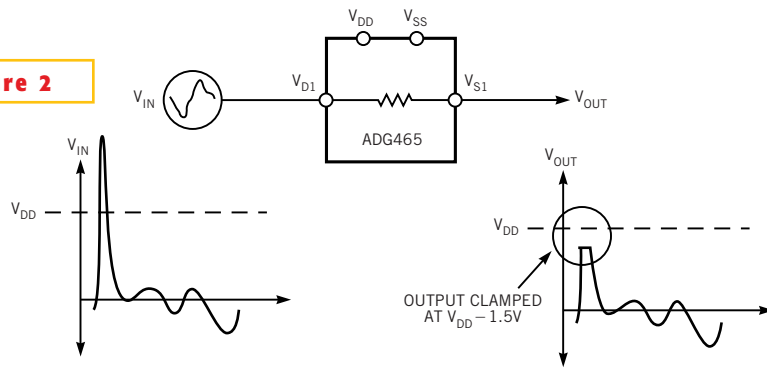


**Figure 2**



**The channel protector clamps overvoltage transients to a safe level.**