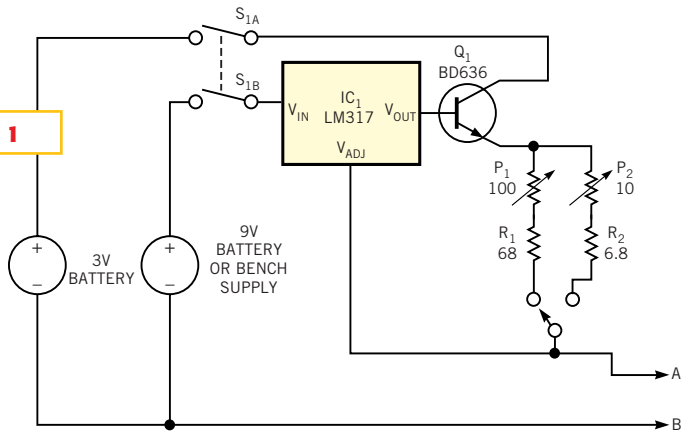


**Figure 1**



**Make your own milliohmmeter, using a voltage-regulator IC and some resistors.**