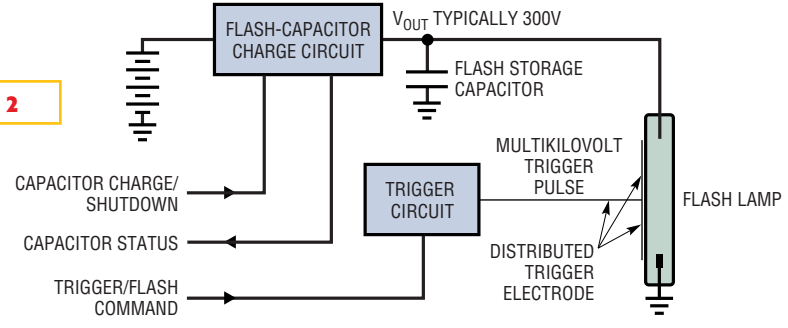


**Figure 2**



Conceptual flash-lamp circuitry includes a charge circuit, storage capacitor, trigger, and lamp.