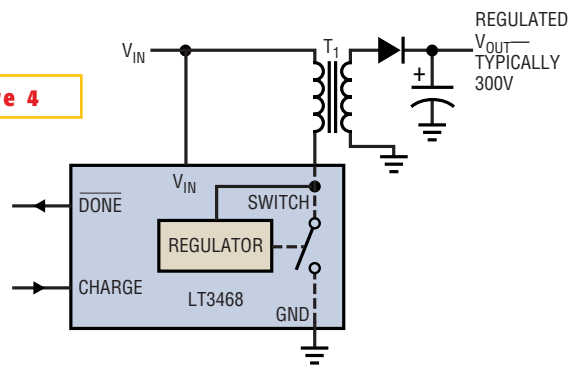


Figure 4



A flash-capacitor charger circuit includes an IC regulator, a step-up transformer, a rectifier, and a capacitor.