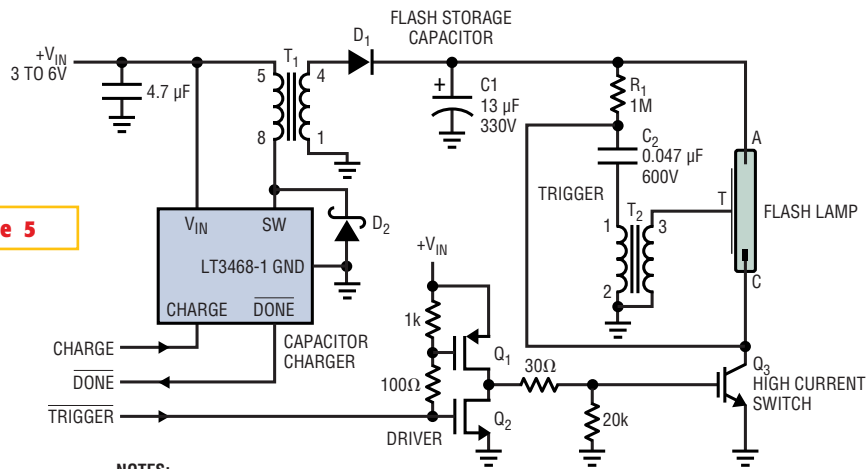


**DANGER! Lethal Potentials Present**



**Figure 5**

**NOTES:**

- C<sub>1</sub>=RUBYCON 330FW13AK6325.
- D<sub>1</sub>=TOSHIBA DUAL DIODE 1SS306.  
CONNECT DIODES IN SERIES.
- D<sub>2</sub>=PANASONIC MA2Z720.
- Q<sub>1</sub>, Q<sub>2</sub>=SILICONIX Si1501DL DUAL.
- Q<sub>3</sub>=TOSHIBA GT5G131 IGBT.
- T<sub>1</sub>=TDK LDT565630T-002.
- T<sub>2</sub>=KIJIMA MUSEN KP-98.
- FLASH LAMP=PERKIN ELMER BGDC0007PKI5700.

**A complete flash-lamp circuit includes capacitor-charging components (left side), flash capacitor C<sub>1</sub>, trigger (R<sub>1</sub>, C<sub>2</sub>, T<sub>2</sub>), Q<sub>1</sub>-Q<sub>2</sub> driver, Q<sub>3</sub> power switch, and flash lamp.**