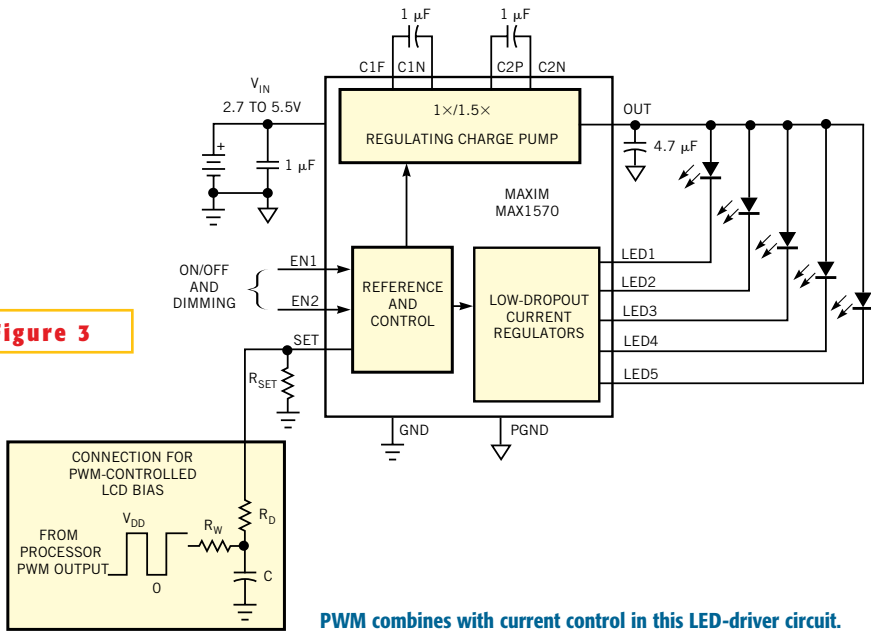


**Figure 3**



PWM combines with current control in this LED-driver circuit.