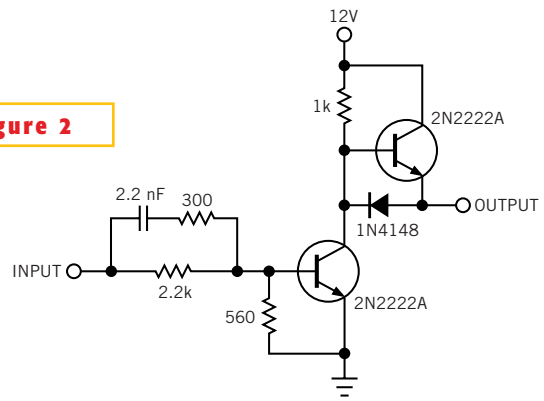


**Figure 2**



This buffer enhances speed at the PWM input of Figure 1's circuit.