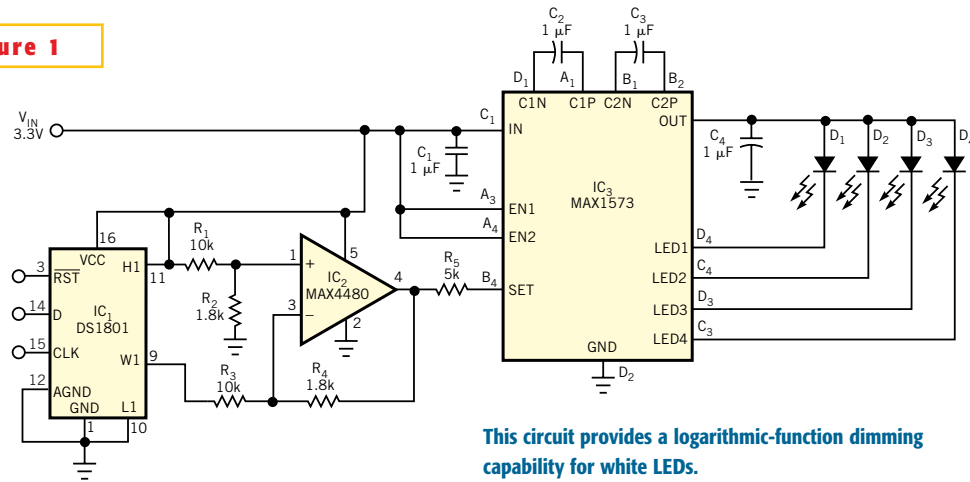


Figure 1



This circuit provides a logarithmic-function dimming capability for white LEDs.