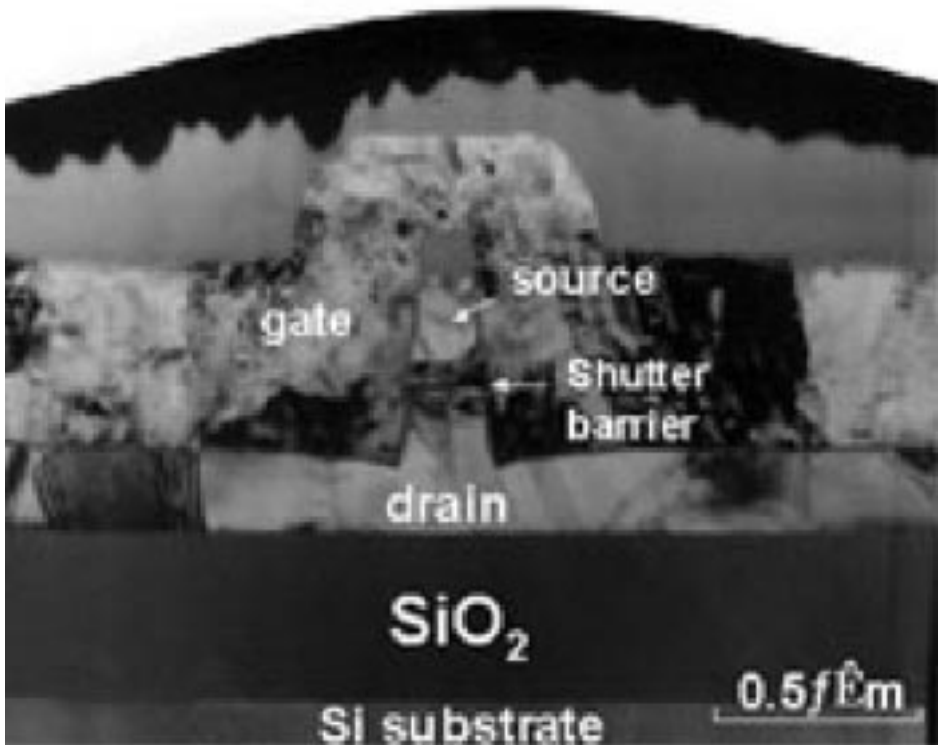
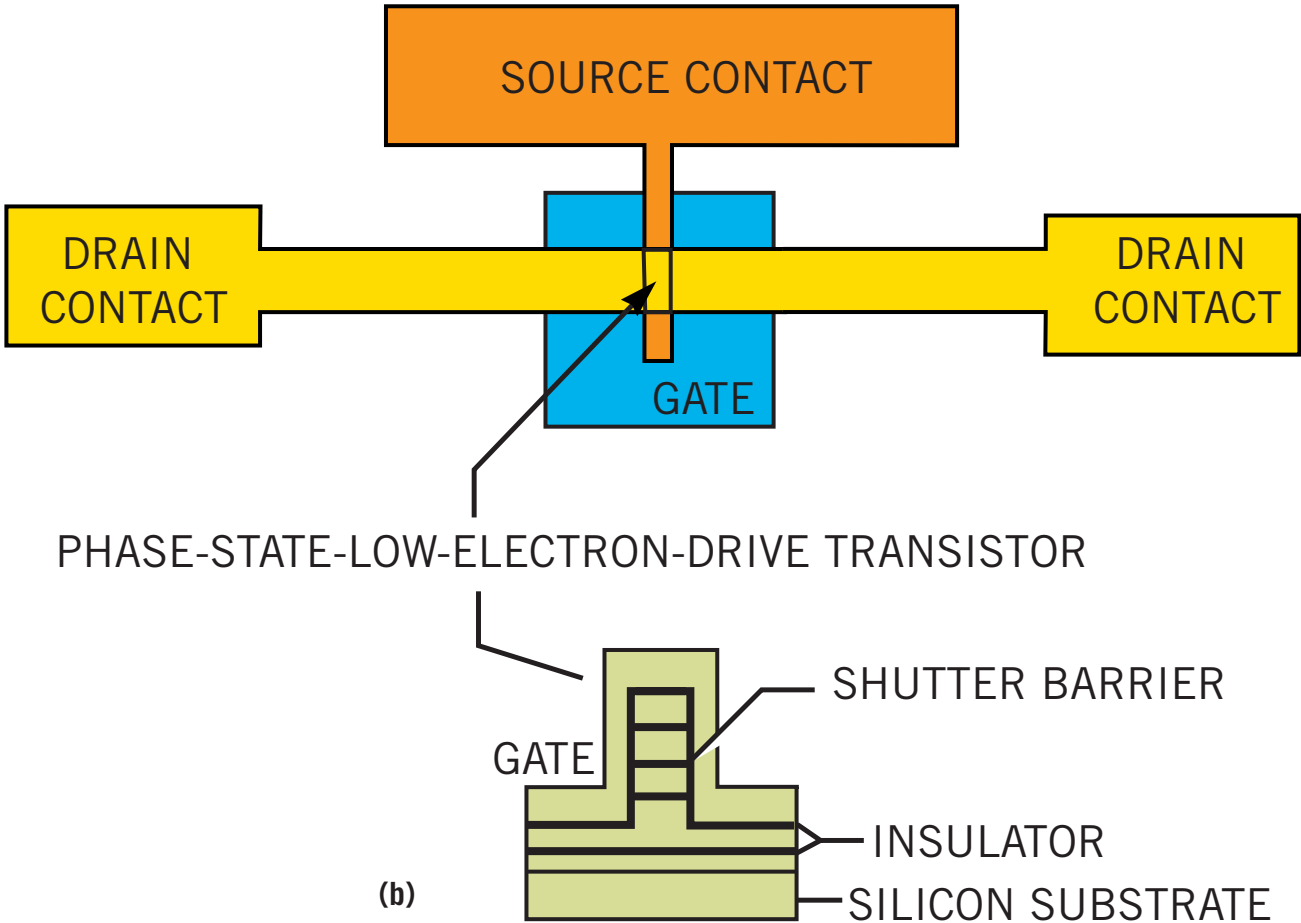


Figure 4



(a)



(b)

The small transistor in the gate of this PLEDM cell (a) might be hard to decipher without the corresponding block diagram (b) to guide you (courtesy Hitachi).