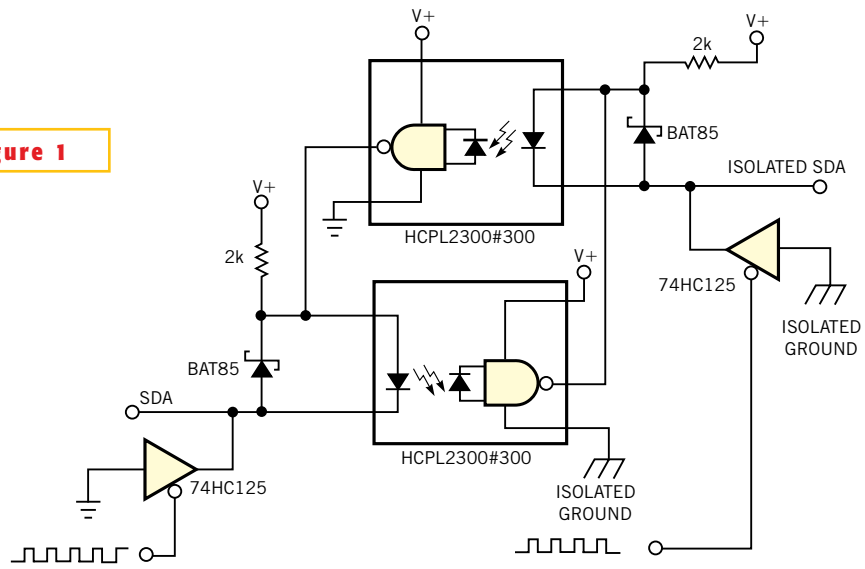


**Figure 1**



This circuit represents a simple I<sup>2</sup>C isolator.