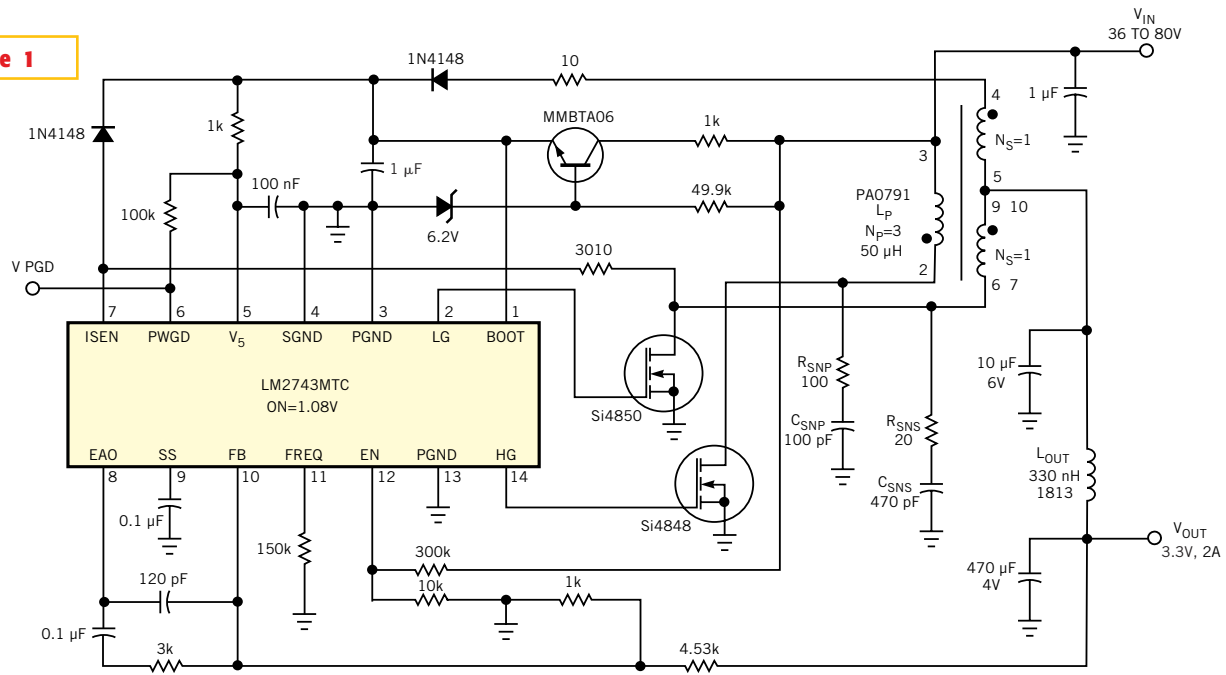


**Figure 1**



This synchronous flyback circuit provides high efficiency with wide input/output ratios.