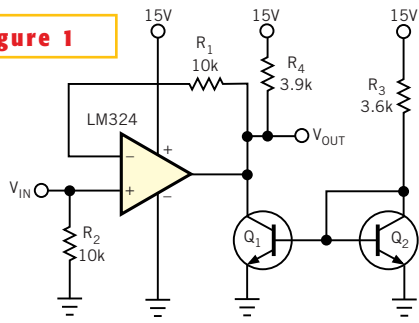


**Figure 1**



**An external current source can bring the usable output level of an LM324 down to the millivolt level.**