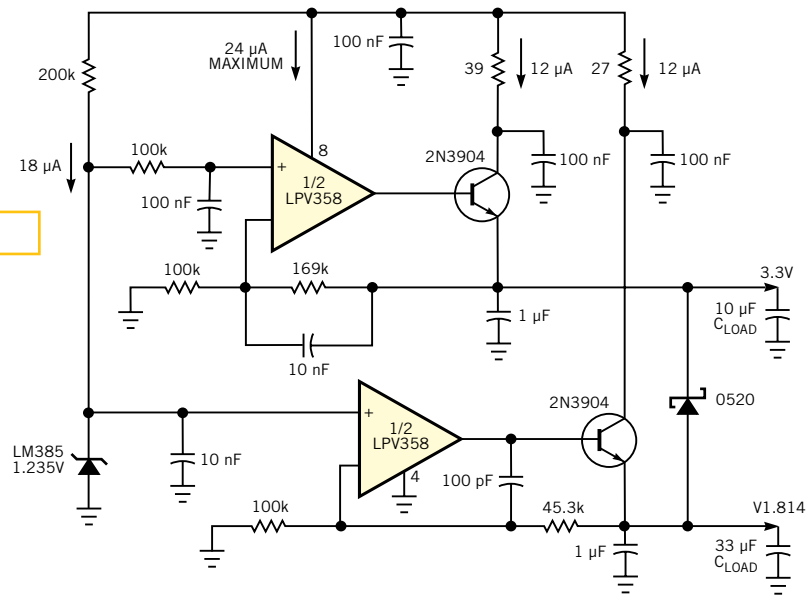


Figure 1



This circuit meets USB specs for controlled power-up sequence and slew rate.