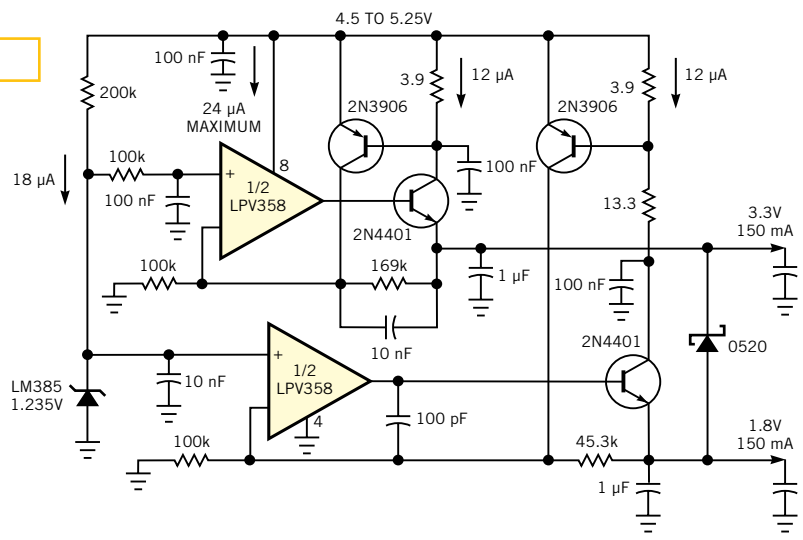


**Figure 2**



This configuration boosts the output current of Figure 1's circuit to more than 200 mA.