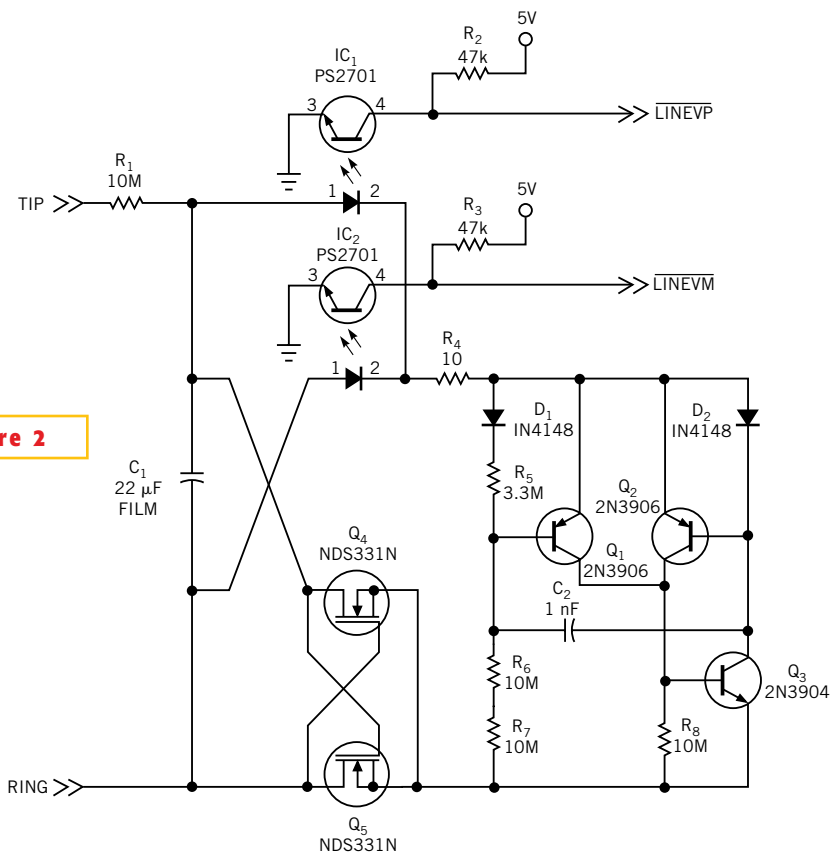


Figure 2



This circuit works with either the Tip or the Ring polarity and reports the polarity of the line to the host microcontroller.