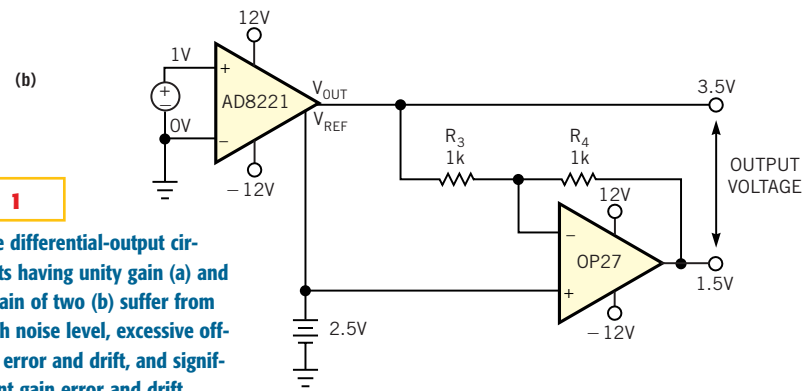


(a)



(b)

Figure 1

The differential-output circuits having unity gain (a) and a gain of two (b) suffer from high noise level, excessive offset error and drift, and significant gain error and drift.